



WI-PS305GF
5GE+1SFP Fiber Ports
48V PoE Switch with 4-Port PoE
Data sheet

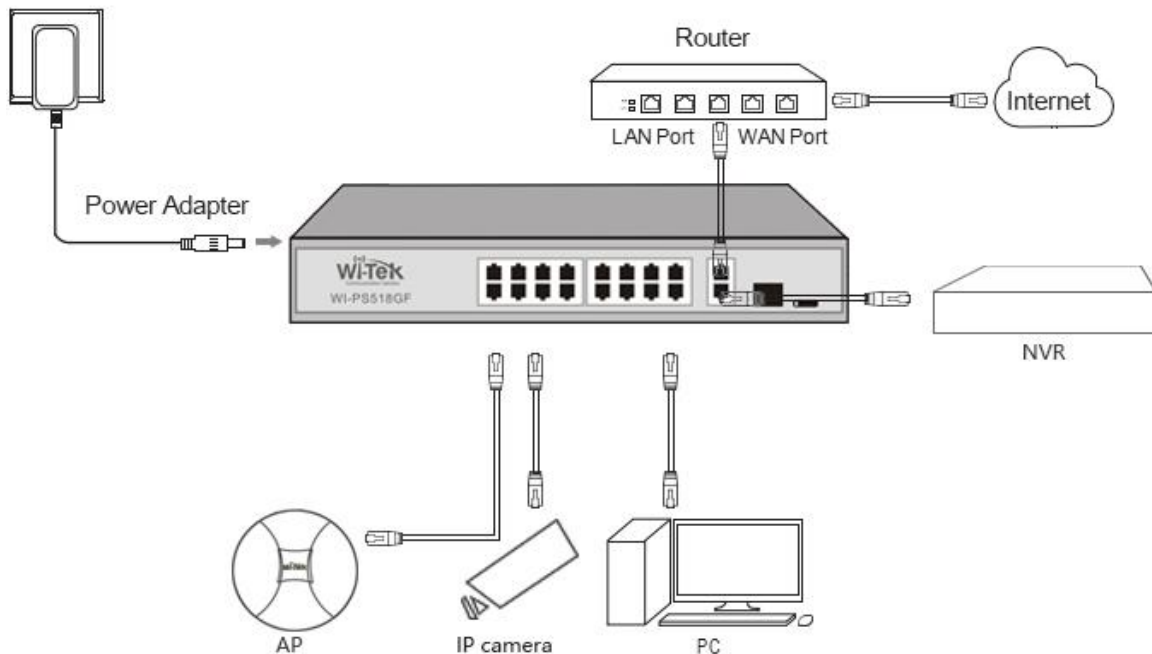
Highlights

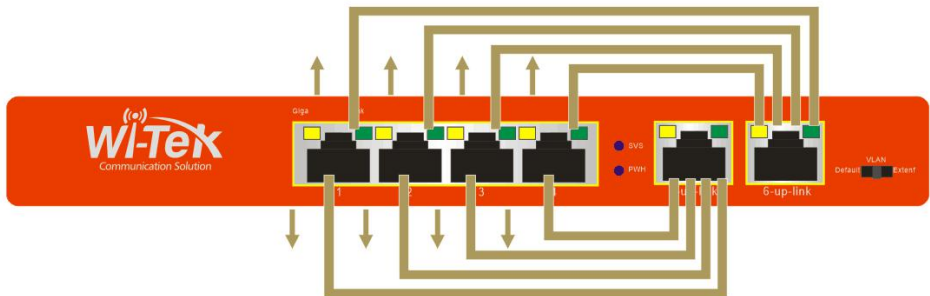
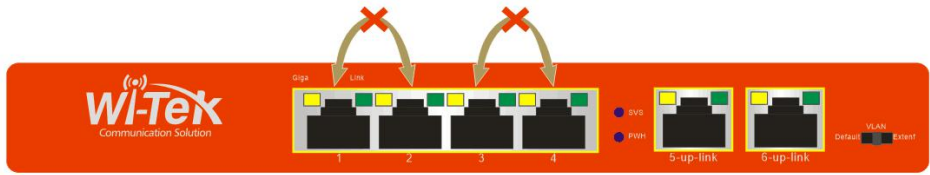
- 5GE+1SFP Fiber 802.3at/at PoE Ports with 4Port PoE
- Supports PoE power up to 30W for each port
- Compatible with PoE IEEE 802.3af/at compliant PDs
- External power adapter supply 65W output power
- LED indicators for LINK/ACT, Power, PoE Status, 100/1000Mbps
- Support Port VLAN(Port isolation) mode
- 2K entry MAC address table with auto-learning and auto-aging

Product



Typical Applications





Description

what this product does

WI-PS305GF is a 5GE+1SFP 100/1000Mbps Ports unmanaged switch that requires no configuration and provides 4 PoE ports. The switch provides an easy way to expand your wired network. All 6 ports support auto-MDI/MDIX, eliminating the need to worry about the type of cable to use. Featuring full duplex mode, the WI-PS305F can process data at a rate of up to 2000Mbps making it an ideal choice for expanding your high performance wired network. Moreover, with innovative energy-efficient technology, the WI-PS305F can save up to 68% of power consumption, making it an eco-friendly solution for your home or office network.

High Performance

WI-PS305GF Fast Ethernet Switch provides 5 100/1000Mbps Auto-Negotiation RJ45 ports. All ports support Auto MDI/MDIX function, eliminating the need for crossover cables or Uplink ports. Featuring non-blocking switching architecture, WI-PS305F forwards and filters packets at full wire-speed for maximum throughput. With 10K Jumbo frame, the performance of large files transfers is improved significantly. And IEEE 802.3x flow control for Full Duplex mode and back pressure for Half Duplex mode alleviate the traffic congestion and make WI-PS305F work reliably.

Easy to Use

The auto features of this Ethernet switch make installation plug and play and hassle-free. No configuring is required. Auto MDI/MDIX eliminates the need for crossover cables. Auto-negotiation on each port senses the link speed of a network device (10, 100 Mbps) and intelligently adjusts for compatibility and optimal performance.

Specification

HARDWARE FEATURES

Interface	5 100/1000Mbps RJ45 Ports 1 SFP Fiber Ports
Network Media	10Base-T: Pair 2 Category 3(Cat3) and above UTP/STP(≤100m) 100Base -TX: Pair 2 Category 5(Cat5) and above UTP/STP(≤100m) 1000Base-T: Pair 4 Category 5(Cat5e) and above UTP/STP(≤100m) 1000Base-SX:62.5μm/50μm MMF(2m~550m) 1000Base-L X:62.5μm/50μm MM(2m~550m) or 10μm SMF(2m~5000m)
Fan Quantity	Fanless
Power Consumption	65W (max. with PoE device connected)
External Power Supply	External Power Adapter 52V 1.25 A
PoE Ports (RJ45)	Standard: 802.3 af/at compliant PoE Ports: Port1- Port4
Backplane Bandwidth	12Gbps

HARDWARE FEATURES

Mac Address Table	2K
Packet Forwarding Rate	8.9Mpps
Buffer	1Mbps
Jumbo Frame	10240Bytes
Dimensions	270*180*44 mm(L*W*H)

SOFTWARE FEATURES

Transmission Method	Store-And-Forward
Advanced Functions	Priority Function Mac Address Auto-Learning And Auto-Aging Store and forward IEEE 802.3x flow control for Full-duplex Mode Back pressure for Half-duplex Mode

OTHERS

Certification	CE, FCC, RoHS
Package Contents	POE Switch Electric Line Guide Book/Warranty Card
Environment	Operating Temperature: -10°C~55°C